

Vector®
DD
FT
WE
>

Tough, Australian made vacuum that keeps on pumping

Just when you thought there was nothing left in vacuum, JAVAC introduces Vector® and raises the benchmark for vacuum engineering. Vector's no-compromise, no-nonsense design is tough, compatible with a vast range of systems and conditions and will stand up to your arduous use for years to come. With over 45 years of expertise in high vacuum engineering, Vector could only have come from JAVAC.

It Just Works

Vector comes standard with a removable multi-head fitting that connects 1/4", 3/8" and 5/16" SAE flare. A resilient design makes Vector compatible with a wide range of commonly used refrigerants, including CFC's, HCFC's, HFC's and more. If there's a fitting or a refrigerant that doesn't work with Vector, then we haven't heard of it.

1/4"	3/8"	5/16"	SAE Flares
------	------	-------	------------

A Pump for Life

Whilst some manufacturers build pumps to be thrown away, JAVAC pumps are designed to last a lifetime. Our first batch of DD pumps, which featured the same underlying technology found in Vector, are still pumping today. That's over thirty years in operation. After a lifetime of use, we easily service our pumps and return them to customers for another lifetimes' work. That's why a JAVAC Vector isn't just an average vacuum pump – it's your lifetime business partner.

No Sweat

For refrigeration circuits where moisture is present, Vector's high water vapour pumping rate keeps the system dry. A high ultimate vacuum effectively dehydrates the system, optimising its performance and reliability. Vector also stops water from being absorbed into the oil, preventing corrosion and extending the life of the pump.



Designed for Life

Vector's stylish casing is more than just an exciting new look. The design optimises oil temperatures, improves efficiency and prevents wear and tear, allowing Vector to run at peak long after its competitors have retired.

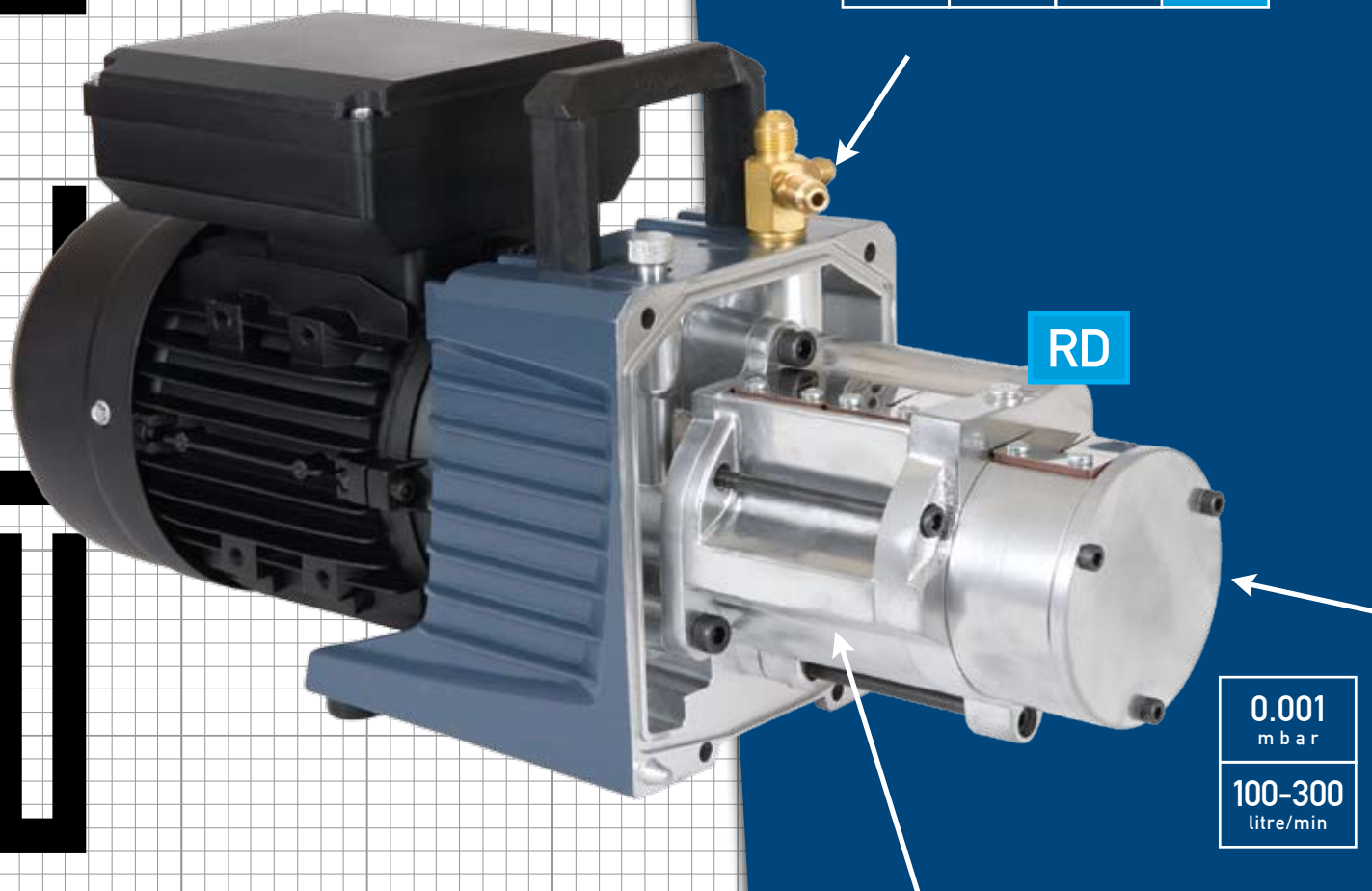
JAVAC VacPak® Vacuum Cartridge

The unique VacPak® cartridge contains all the working components in a single assembly. Vector's VacPak improves oil capacity and lubrication, offering quieter operation and lower temperatures. As well as providing superior performance, VacPak is also an economic method of repair or upgrade, allowing the cartridge to be removed and replaced in minutes.

Checked Twice

Before your Vector leaves our factory, each component is blueprinted and tuned to ensure it meets our stringent standards. We then complete 24 hours of non-stop testing so we can be sure it's ready to work hard. We've been building pumps like this for over 45 years, which is why we're confident enough to give each Vector a 3 year conditional warranty.

3 Year
CONDITIONAL
WARRANTY



Resists Ammonia (Option)

For corrosive applications Vector RD can be optioned with an ammonia resistant coating. Featuring tougher seals and special fittings, the option allows Vector to work with ammonia based systems without fear of damage. The ammonia package is available on all RD models and includes a 3/8" SAE flare.



Designed and Manufactured
in Australia.

Whoever said there was nothing left in vacuum?

JAVAC's Premium Range of Refrigeration High Vacuum Pumps



VECTOR® RD

Specifications



RD 90
VRD-90

RD 160
VRD-160

RD 320
VRD-320

Stages		2	2	2
Volumetric Flow /Swept Volume @ 50Hz (60Hz)*	litre/min	100 (120)	150 (180)	300 (360)
	m ³ /hr	6.0 (7.2)	9.0 (10.8)	18.0 (21.6)
	CFM	3.5 (4.2)	5.3 (6.3)	10.6 (12.7)
Ultimate Vacuum (PP)	mbar	0.001	0.001	0.001
Ultimate Vacuum with Gas Ballast (PP)	mbar	0.01	0.01	0.01
Pump Down 20 litre vessel to 0.01mbar	minutes	3.0	1.5	0.6
Max Water Vapour Pumping Rate	gram/hr	60	70	100
Operating Temperature	°C ± 10	60	60	60
Rotational Speed	rpm	1400	1400	1400
Motor Power 50Hz (60Hz)	Watts	750 (900)	750 (900)	750 (900)
Weight	kg	21.0	21.0	24.5
Dimensions	L/W/H mm	540/155/240	540/155/240	540/155/240
Suction Fitting	ISO	KF25	KF25	KF25
Oil Capacity	cc	1500	1500	1300

Performance results obtained under ideal controlled conditions, to ISO standards. Similar results may be expected when using Partial Pressure gauges. *Actual capacity may be less allowing for conductance losses and atmospheric pressure variations.

Ultimate Vacuum

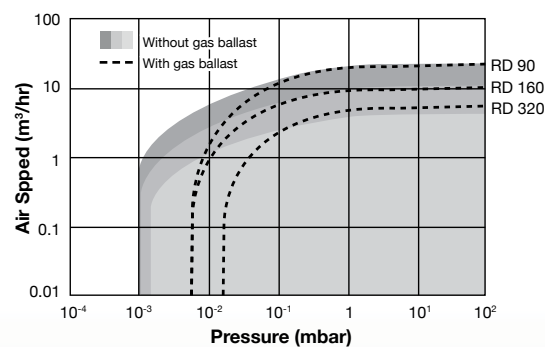
JAVAC high vacuum pumps are tested in accordance with AS/NZS ISO9001:2000 standards. Similar results are achieved if vacuum system is clean and the vacuum pump is at operating temperature.

Accessories

JAVAC offer a full range of vacuum accessories to suit your high vacuum pump including oil mist filters, inlet filters and traps, high vacuum valves, high vacuum gauges, control manifolds and more.

Genuine JAVAC Oil

For peak performance, always use **JAVAC Oil No. 16** with your Vector. Genuine JAVAC oil is specially formulated to extract the best performance and longest life – don't settle for inferior imitations!



How to Buy

JAVAC products are available direct from our website and from a select range of Authorised Distributors.

Applications

- Air conditioning dehydration
- Automotive air conditioning R12/R134a & blend compatible
- Domestic and commercial refrigeration
- General purpose vacuum in industry
- Production line and OEM
- Routine vacuum in laboratory

Features

- High density, impregnated aluminium castings (powder coated finish)
- Interchangeable/upgradable VacPak® cartridge
- Viton 'O' Ring modular construction
- Removable Multi-head fitting to suit ¼", ⅜" and ⅝" SAE flare. Consult JAVAC for optional or custom fittings.
- No oil suck back auto vent system
- Integrated oil pump
- Adjustable gas ballast
- Flexible coupling drive
- Sustainable ultimate vacuum
- Ammonia resistant coating (option, fitted with ⅜" SAE)
- Magnetic sump plug
- Fan cooled
- Low noise and vibration
- Easy maintenance
- Low temperature start at ≥ 5°C
- Retractable carry handle
- Anti-skid rubber feet
- Various plumbing options
- Available with single- or three-phase power
- Optional trolley for material handling solutions
- Long life design and reliable performance
- Australian designed and manufactured
- Local service and support
- Extended three year factory warranty



Vector LD and LT also available for laboratory applications

Offices also in New Zealand and United Kingdom

Copyright © 2009 JAVAC Pty Ltd. JAVAC®, Vector® and VacPak® are registered trademarks of JAVAC Pty Ltd. Not to be used without permission. The information contained within is correct at the time of printing. JAVAC reserves the right to make changes to this information without notice. Graphic design by James Davies.